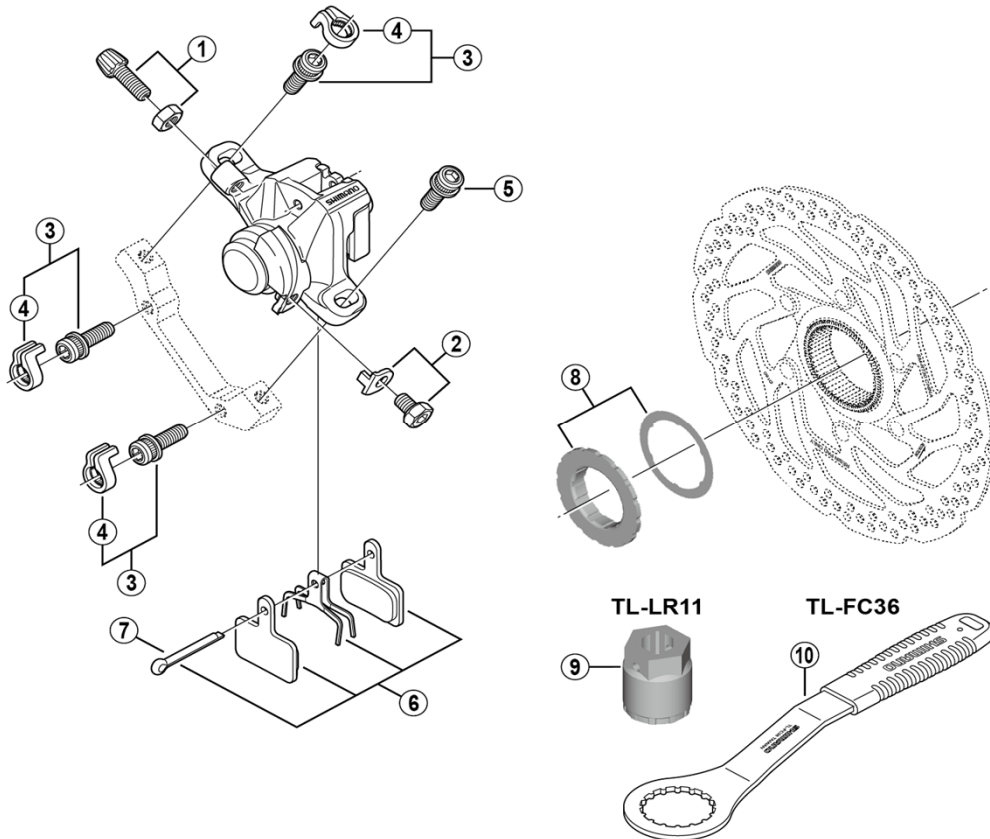


Rear Disc Brake
BR-M375-R Brake Caliper
SM-RT30 Disc Rotor



ITEM NO.	SHIMANO CODE NO.	DESCRIPTION	INTERCHANGEABILITY		
			BR-M416A	BR-M416	BR-M445
1	Y8JW98010	Cable adjusting bolt and nut			
2	Y8JW98020	Cable fixing screw (M6 x 9) and plate			
3	Y2F398020	Caliper fixing screw (M6 x 18.7) and snap ring	A	A	A
4	Y2RT06000	Snap ring	A	A	A
5	Y8C509020	Caliper fixing screw (M6 x 18.7)	A	A	A
* 6	EBPB03SRESINA	B03S Resin pad and spring with split pin 3 type			
7	Y8C505000	Split pin	A	A	
8	Y8JX98020	Lock ring (black) and washer			
9	Y8PW04100	TL-LR11 Lock ring removal tool			
10	Y13098000	TL-FC36 Lock ring removal tool			

A: Same parts.

B: Parts are usable, but differ in materials, appearance, finish, size, etc.

Absence of mark indicates non-interchangeability.

Oct.-2020-3230D

© Shimano Inc. I

Specifications are subject to change without notice.

SHIMANO