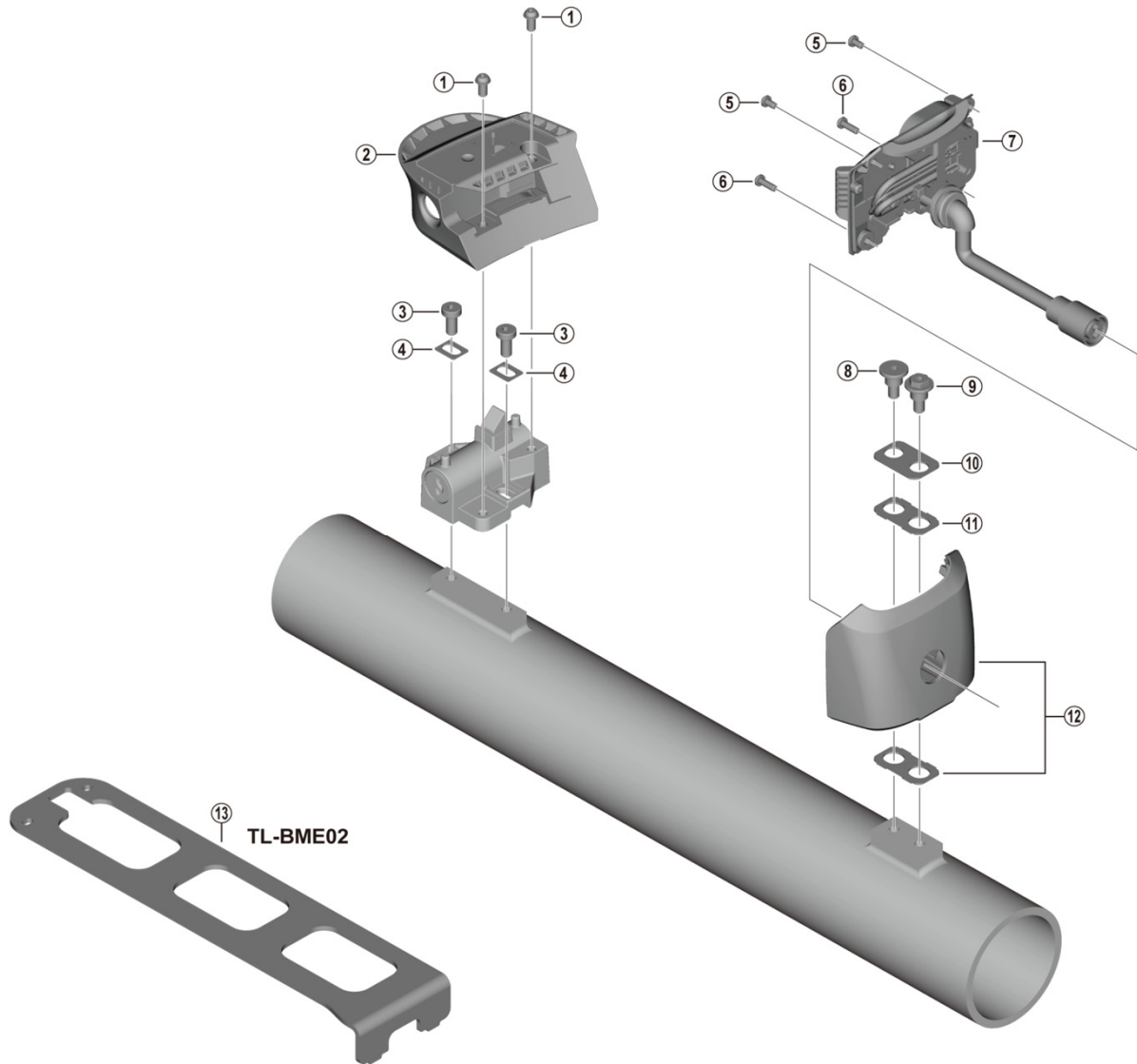


Battery Mount BM-E8016



ITEM NO.	SHIMANO CODE NO.	DESCRIPTION
1	Y7HY00030	Screw (M4 x 8.5)
2	Y7HY98010	Key Case Unit
3	Y7HY00020	Screw (M5 x 11)
4	Y7HY00040	Key Unit Spacer
5	Y7HY00090	Screw (M3 x 5)
6	Y7HY00380	Screw (M3 x 9)
7	Y7HY98020	Upper Case Assy 250 mm
	Y7HY98030	Upper Case Assy 300 mm
	Y7HY98040	Upper Case Assy 600 mm
8	Y7HY00170	Lower Case Fixing Screw F
9	Y7HY00180	Lower Case Fixing Screw R
10	Y7HY00190	Lower Case Washer
11	Y7HY00200	Lower Case Rubber
12	Y7HY98050	Lower Case Assy
13	YEZY00014	TL-BME02 Battery Mount Setting Tool

Dec.-2020-4754

© Shimano Inc. I

Specifications are subject to change without notice.

SHIMANO